

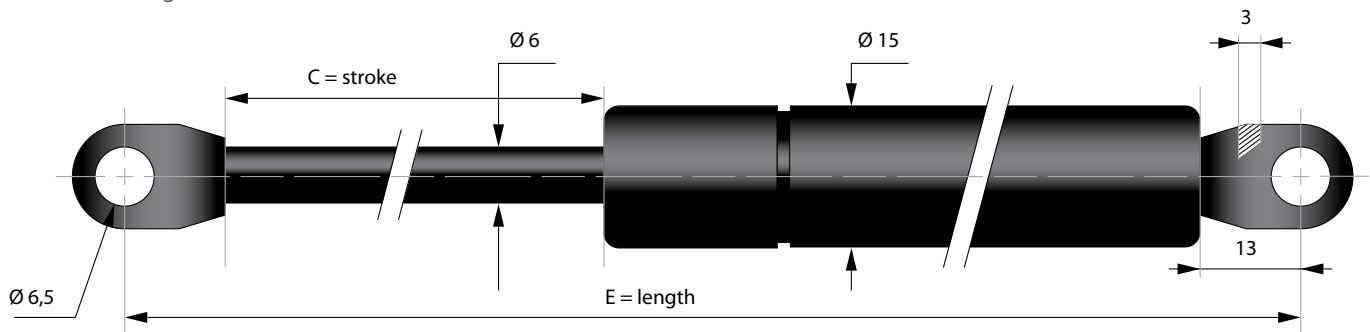
COMPRESSION GAS SPRINGS

GAS SPRINGS WITH A PISTON DIAMETER OF 6 mm WITH WELDED EYES

Compression gas springs are a multipurpose product of a simple cylindrical shape with different mounting variants producing an extending power under pressurized nitrogen. The compression of the piston rod into the cylinder compresses nitrogen, resulting in the formation of force, which extends the piston from the cylinder. The amount of force depends on the cross section of the piston rod, the cylinder volume and the amount of nitrogen therein.

Gas springs are finished with a welded EYES with a diameter of 6.5 mm and a EYE thickness of 3 mm.

The piston rod is made of C35 steel, which is treated by nitriding (QPQ). The cylinder body is made of ST34 2-BK steel and painted with black epoxy paint.



C - stroke [mm]	E - length [mm]	F1 - force [N]	Reference
20	94	30-250	ST 020+F1+D6
40	145	30-400	ST 040+F1+D6
60	185	30-400	ST 060+F1+D6
80	225	30-400	ST 080+F1+D6
100	265	30-400	ST 100+F1+D6
120	305	30-400	ST 120+F1+D6
150	365	30-400	ST 150+F1+D6

Instructions for ordering the correct type of gas springs:
 If you need a gas spring with a piston diameter of 6 mm, with a welded EYES, stroke of C = 100mm and with a force of F1 = 200N – the spring will have order number ST100 200 D6.