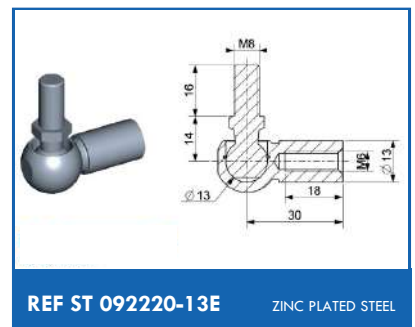
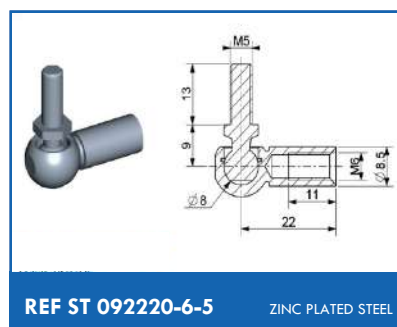
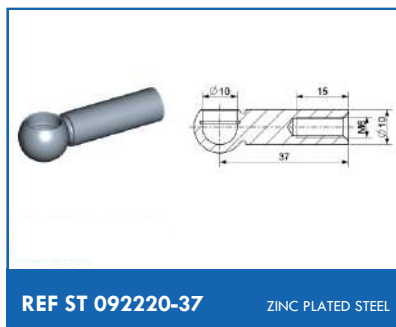
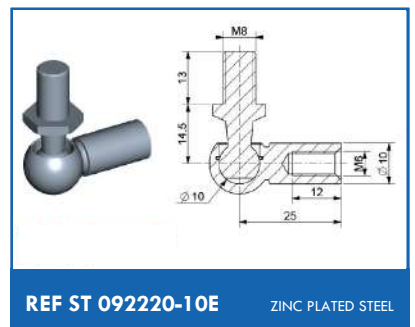
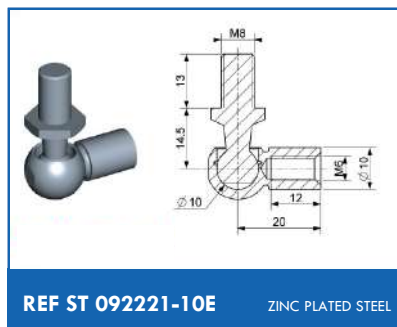
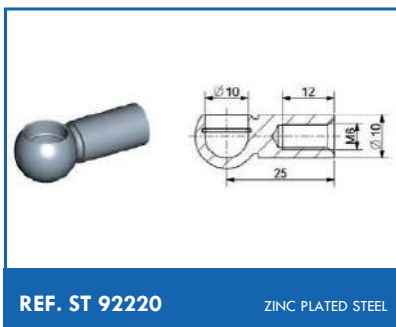
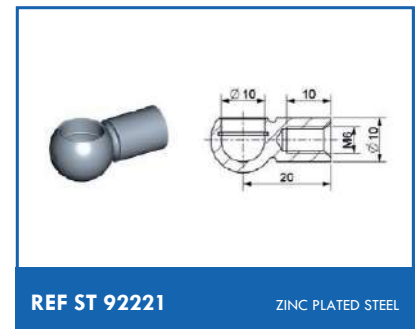
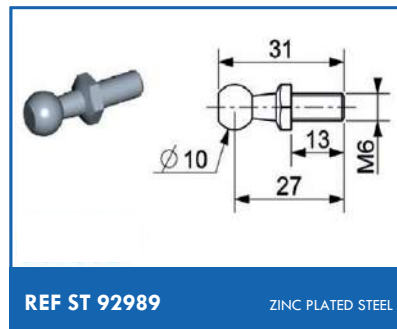
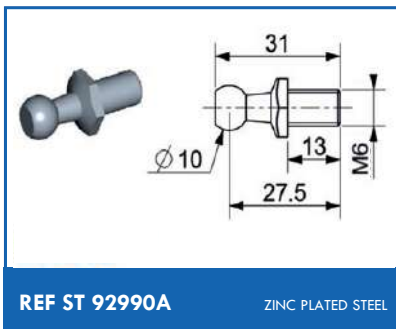
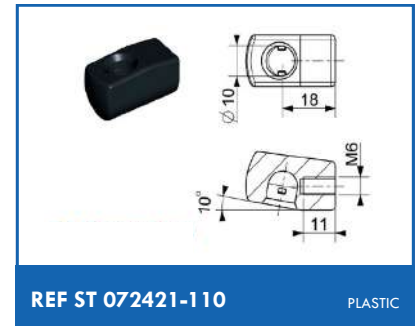
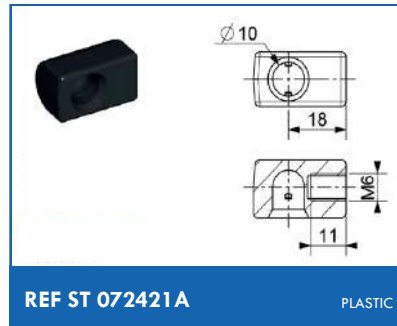
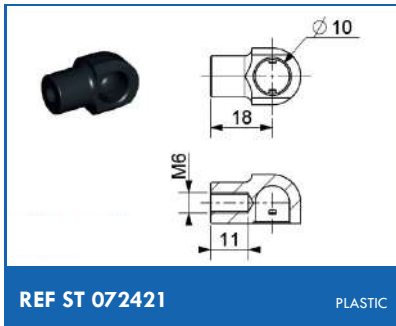


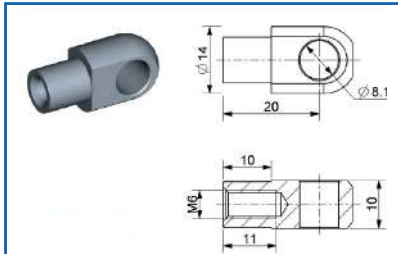
M6 END FITTINGS

USE ONLY FOR THE GAS SPRINGS WITH A PISTON DIAMETER OF 6 mm AND 8 mm



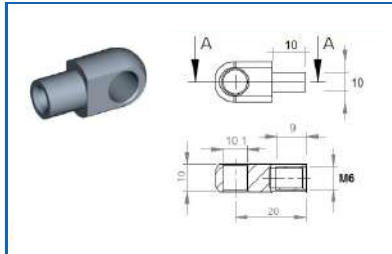
M6 END FITTINGS

USE ONLY FOR THE GAS SPRINGS WITH A PISTON DIAMETER OF 6 mm AND 8 mm



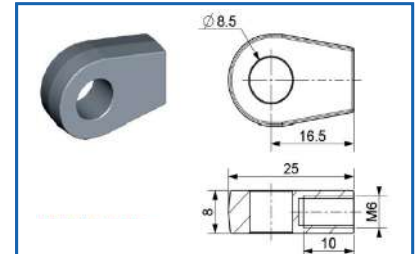
REF HG CHM6

ZINC PLATED STEEL



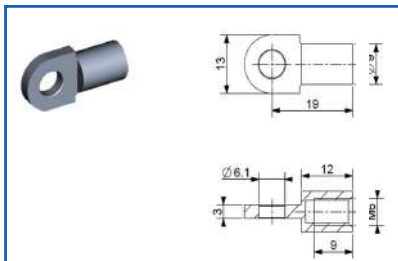
REF ST CHM6-10

ZINC PLATED STEEL



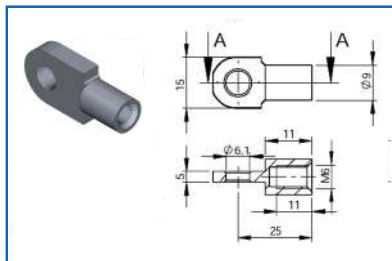
REF ST 092259

ZAMACK



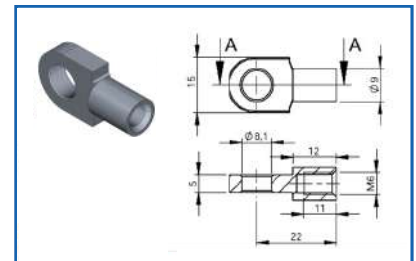
REF ST 1304-6-6

ZINC PLATED STEEL



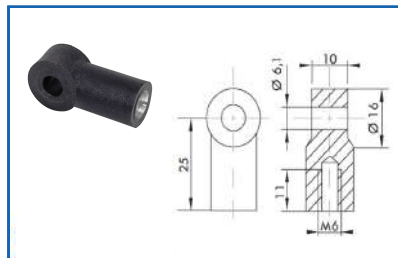
REF ST 1305

ZINC PLATED STEEL



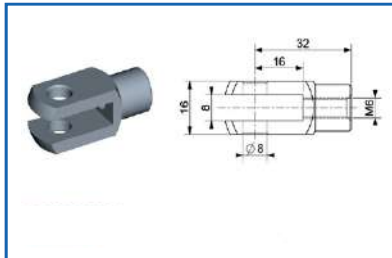
REF ST 1304

ZINC PLATED STEEL



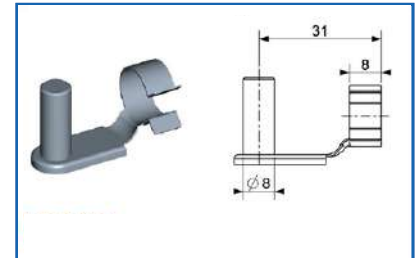
REF 92528

PLASTIC



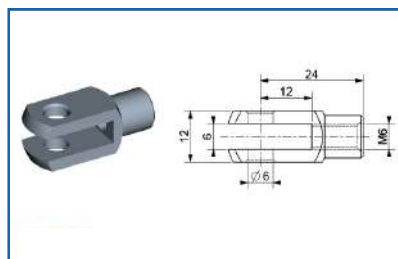
REF ST F8M6

ZINC PLATED STEEL



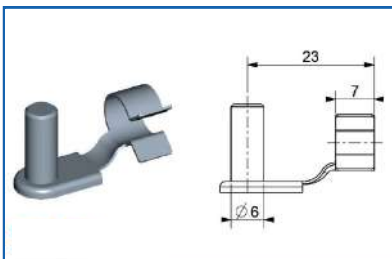
REF ST ES8

ZINC PLATED STEEL



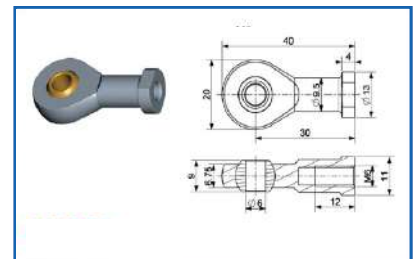
REF ST F6

ZINC PLATED STEEL



REF ST ES6

ZINC PLATED STEEL



REF ST Gi6

ZINC PLATED STEEL