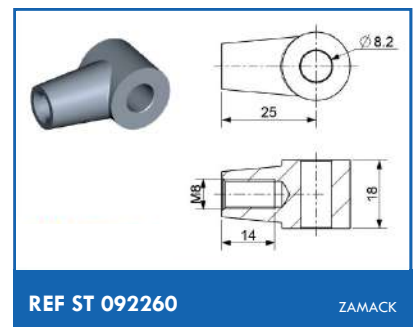
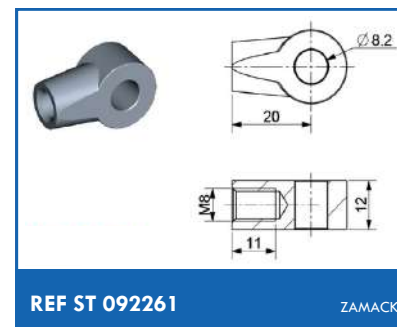
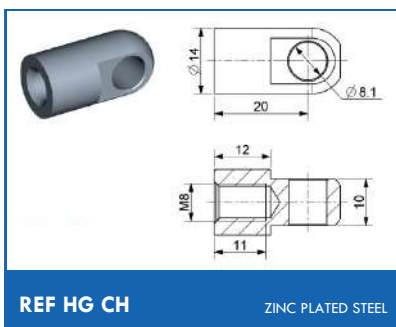
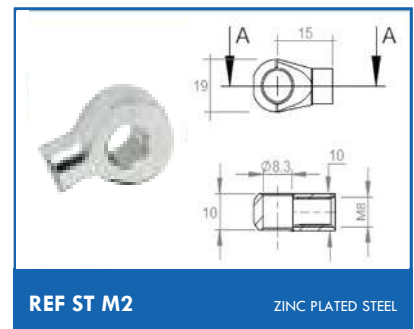
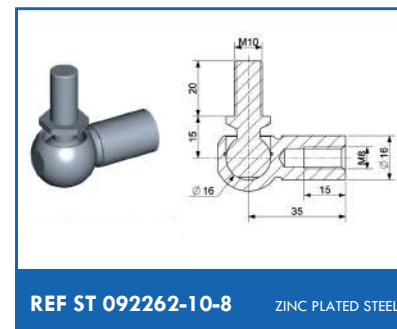
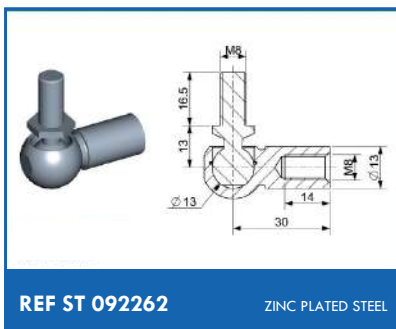
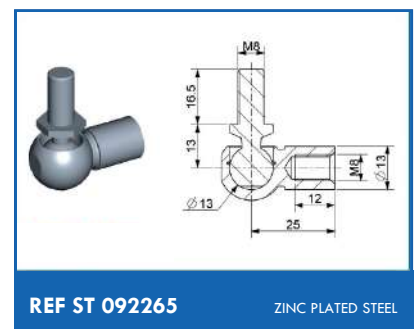
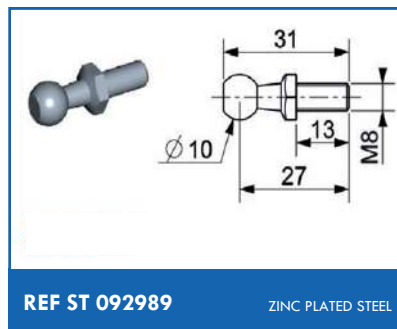
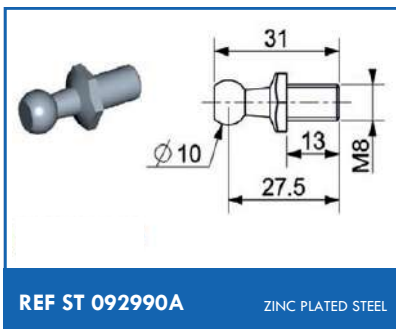
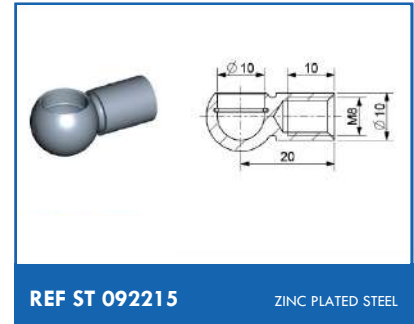
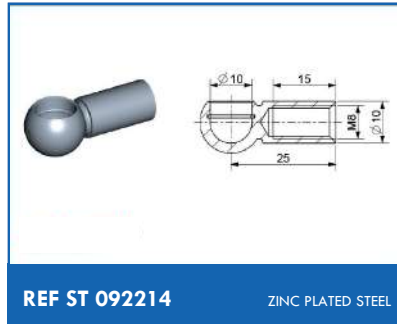
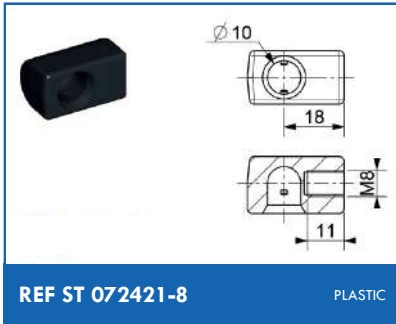


M8 END FITTINGS

USE ONLY FOR THE GAS SPRINGS WITH A PISTON DIAMETER OF 10 mm AND 14 mm



M8 END FITTINGS

USE ONLY FOR THE GAS SPRINGS WITH A PISTON DIAMETER OF 10 mm AND 14 mm

